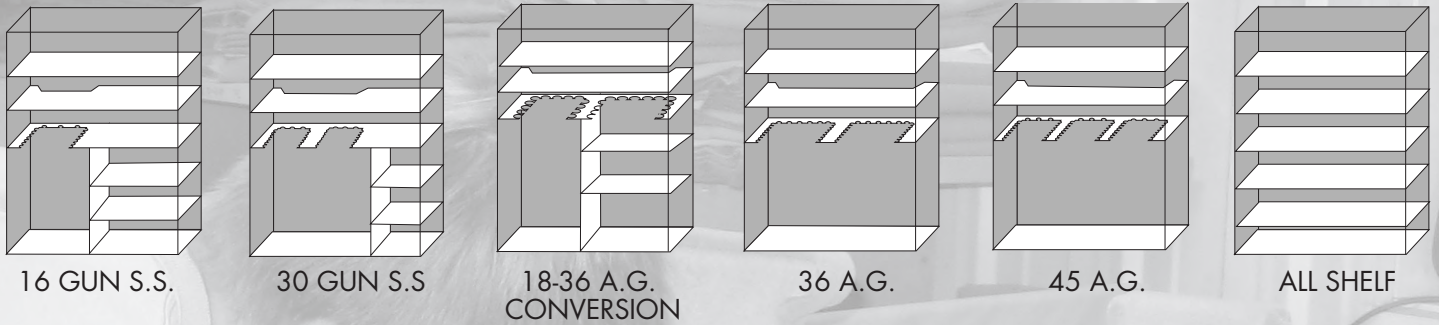


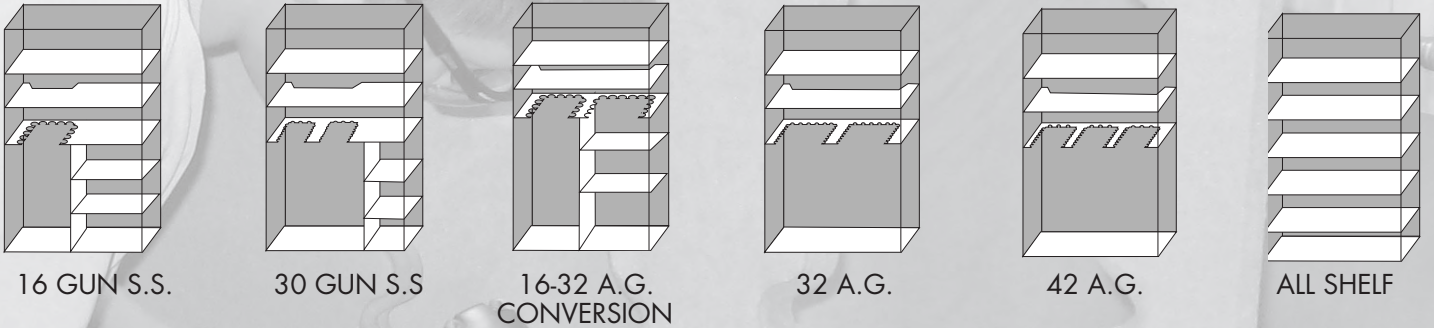
Safe Interior Options

Other special made interiors can be done upon request. Top shelves are notched out in the back to allow for longer barreled firearms.

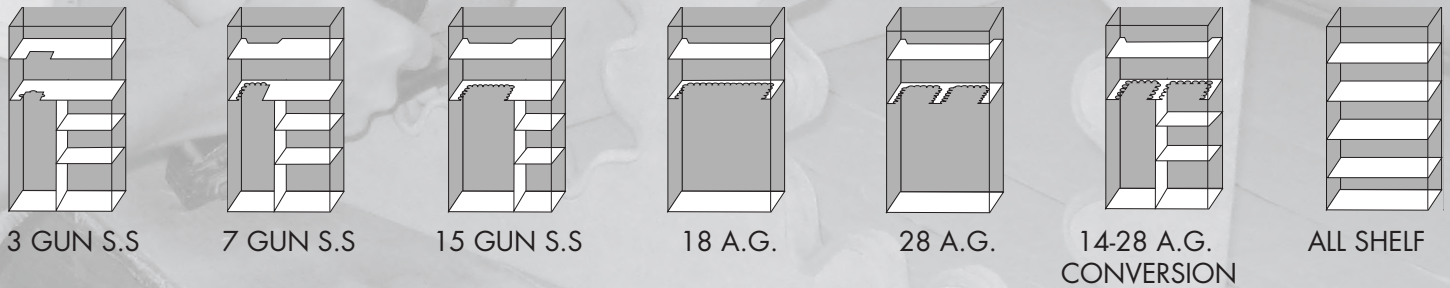
50" Width Safes



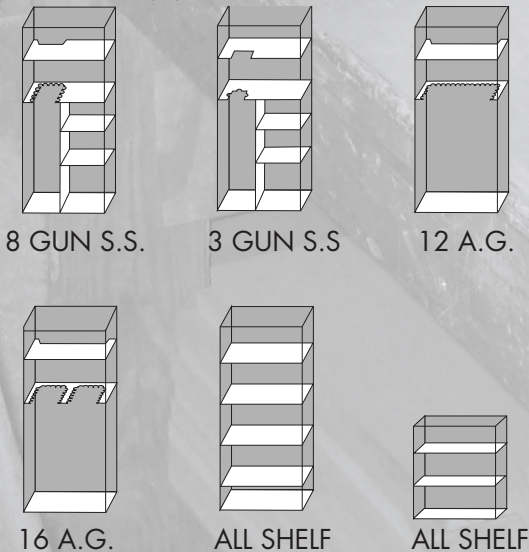
40" Width Safes



30" Width Safes



24" Width Safes



All 60" tall models come standard with one full length top shelf, 72" models come standard with two top shelves. Gun capacities are reduced in Ex Models or models with upgraded fire protection.

Gun Capacity	3	7	8	12	15	16	18	28	30	32	42	45	All Shelf
Model													
752			S.S.			S.S.			S.S.	A.G.		A.G.	5
742			S.S.			S.S.			S.S.	A.G.	A.G.		5
732	S.S.	S.S.			S.S.	A.G.		A.G.					5
652			S.S.			S.S.			S.S.	A.G.		A.G.	4
642						S.S.			S.S.	A.G.	A.G.		4
632	S.S.	S.S.			S.S.		A.G.	A.G.					4
621			S.S.	A.G.			A.G.						4